

Optical Termination Rack

Variety Type of High-density Termination Racks



Super High Density type
4,000-port Termination Rack
MU connector, pre-connectorized cable (OSP cable)
(Fiber Monitoring system integrated)



Standard type
2,400-port Termination Rack
SC connector , Splice Tray



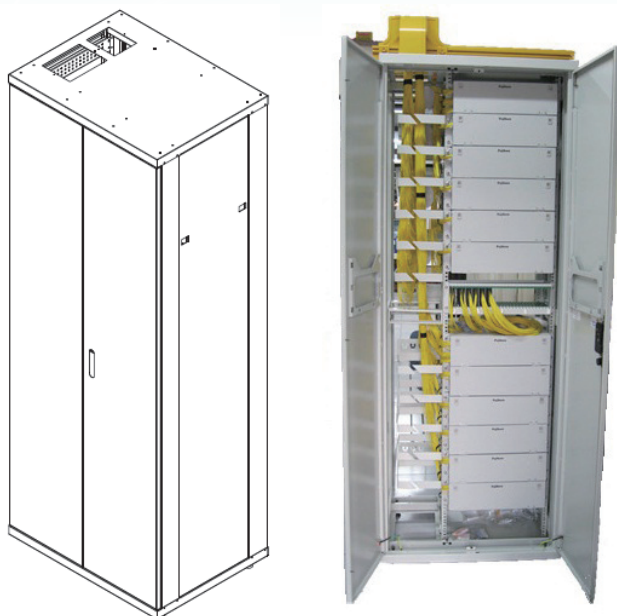
Only Front Access type
(Depth 300mm)
1,000-port Termination Rack
SC connector , Splice Tray

**For all your connection needs
Full Customization for Full Flexibility**

Notes

Central Office Application

FTM-1000C

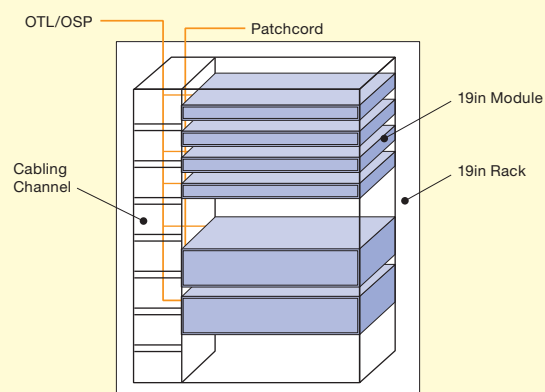


Features & Benefits

- Efficient termination, splicing or management of optical cables
- Up to 1000C cord organizing capacity and cascable
- EIA 19-inch standard rack with additional vertical space
- Removal side and back plates, easy access and maintenance
- Front door, comprise 2 doors left and right, easy access
- Abundant and flexible option units configuration
- Compatible with industry standard devices

Applications

- Central office, data center indoor applications
- Indoor



Specifications

Item	FTM-6822	FTM-6817	FTM-6812
Unit Height	46U	35U	23U
FDU-144C Capacity (pcs)	7	5	3
Cable Input	Number Capacity	21	15
	Outer Diameter (mm)	7~23	
Cable Output	Number Capacity*	1008	432
	Outer Diameter (mm)	2mm cord	
Main Body	Steel with coated; Light gray		
Dimension (H × W × D mm)	H2200 × W800 × D600	H1700 × W800 × D600	H1200 × W800 × D600
Weight (Kg)	Approx. 120	Approx. 92	Approx. 60

* Capacity is counted when FDU-144C termination units are used.

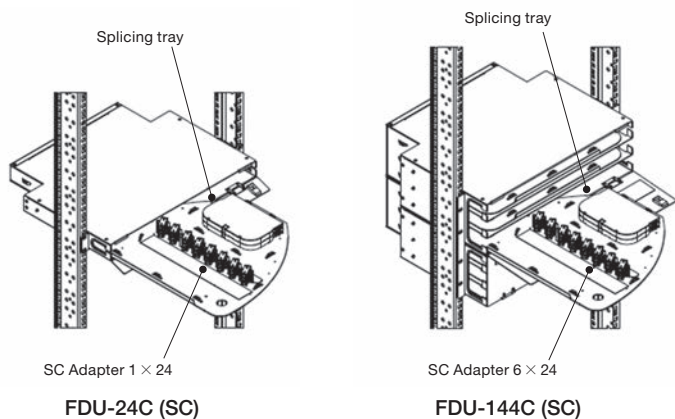
Ordering Information

#	Model #	Description
1	FTM-6822	FTM Rack (2200mm height), cable clamps, cord guides, accessory kit, assembly manual
2	FTM-6817	FTM Rack (1700mm height), cable clamps, cord guides, accessory kit, assembly manual
3	FTM-6812	FTM Rack (1200mm height), cable clamps, cord guides, accessory kit, assembly manual

* Please contact us for more information on different rack height and applicable options.

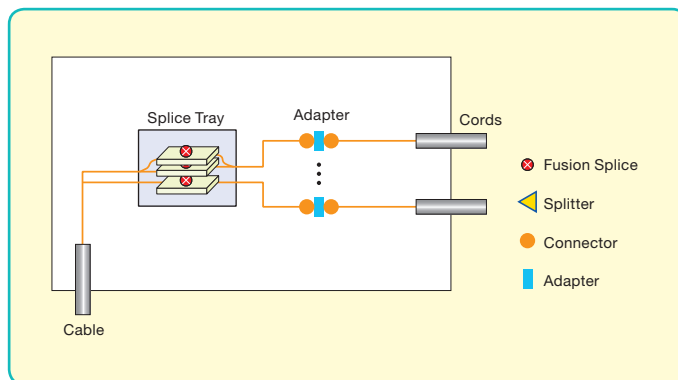
Central Office Application

Termination Unit FDU Series



Features & Benefits

- Compatible with 19-inch standard rack
- Efficient termination and neat maintenance of fiber termination
- Easy maintenance



Applications

- Central office, data center applications
- Indoor fiber management

Specifications

Item	FDU-24C (SC)	FDU-48C (SC)	FDU-72C (SC)	FDU-96C (SC)	FDU-144C (SC)	
Rack Unit Height	1U	2U	3U	4U	6U	
Number of SC Adapter (pcs)	24	48	72	96	144	
Number of Splice Tray (12 splices/tray) (pcs)	2	4	6	8	12	
Operating Temperature	Up to 65°C (without condensation)					
Dimensions	H (mm)	43.6	88.1	132.6	176.9	265.9
	W × D (mm)	W482.6 × D360				
Weight (Kg)	4	5	7	10	14	
Color	Light Gray					

* Please contact us for SC/APC type

Ordering Information

#	Model #	Description
1	FDU-24C (SC)	Termination unit, SC adapter 24pcs, SC pigtail 24pcs, fuse sleeve 24pcs, accessory kit, assembly manual
2	FDU-48C (SC)	Termination unit, SC adapter 48pcs, SC pigtail 48pcs, fuse sleeve 48pcs, accessory kit, assembly manual
3	FDU-72C (SC)	Termination unit, SC adapter 72pcs, SC pigtail 72pcs, fuse sleeve 72pcs, accessory kit, assembly manual
4	FDU-96C (SC)	Termination unit, SC adapter 96pcs, SC pigtail 96pcs, fuse sleeve 96pcs, accessory kit, assembly manual
5	FDU-144C (SC)	Termination unit, SC adapter 144pcs, SC pigtail 144pcs, fuse sleeve 144pcs, accessory kit, assembly manual

Notes

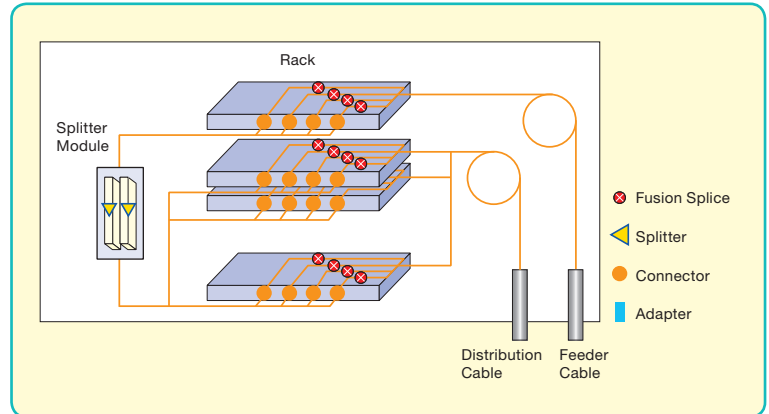
Local Convergence Point Application

ODC-C Series



Features & Benefits

- Expandable to larger capacity upon request
- Flexible capacity configuration
- Mount spaces for splitter module
- Parking lots for reserved connectors



Applications

- FTTH OSP network applications.

Specifications

Item	ODC-C-96RD	ODC-C-144RD	ODC-C-288RD	ODC-C-576RD
Cable Entry (Input / Output)	Capacity		11	24
	Outer Diameter (mm)		7-23	
Splitter Modules Capacity (1 × 4 or 1 × 8 splitter module)	18	18	36	72
Splitter Modules Capacity (1 × 16 or 1 × 32 splitter module)	9	9	18	36
Number of Parking Lot	36		66	132
Connector Type**	SC/APC (Green) or SC/UPC (Blue); Compliant with IEC61754-4			
Main Body*	Fiber reinforced plastic (FRP); Light gray; UL-94 V0 compliant			
Dimension (H × W × D mm)	H1035 × W556 × D310		H1450 × W756 × D360	H1457 × W753 × D542
Weight (Kg, included parts)	Approx. 43	Approx. 45	Approx. 95	Approx. 190
Degree of Protection	IP54; IEC 60529, IEC 61300-2-1, IEC60068-2-6, IEC 6130-3-3 compliant Temperature: up to 65°C; Humidity: up to 95% at 35°C without condensation			

* Please contact us for steel type

** Please contact us for SC/APC type

Ordering Information

#	Model #	Description
1	ODC-C-96RD	Cabinet 1pc, pedestal 1pc, splicing tray 8pcs, accessory kit 1set, SC pigtail 96pcs, fuse sleeve 96pcs, assembly manual
2	ODC-C-144RD	Cabinet 1pc, pedestal 1pc, splicing tray 12pcs, accessory kit 1set, SC pigtail 144pcs, fuse sleeve 144pcs, assembly manual
3	ODC-C-288RD	Cabinet 1pc, pedestal 1pc, splicing tray 24pcs, accessory kit 1set, SC pigtail 288pcs, fuse sleeve 288pcs, assembly manual
4	ODC-C-576RD	Cabinet 1pc, pedestal 1pc, splicing tray 48pcs, accessory kit 1set, SC pigtail 576pcs, fuse sleeve 576pcs, assembly manual

Option

Item	Description
FSC121 type splitter	Splitter module

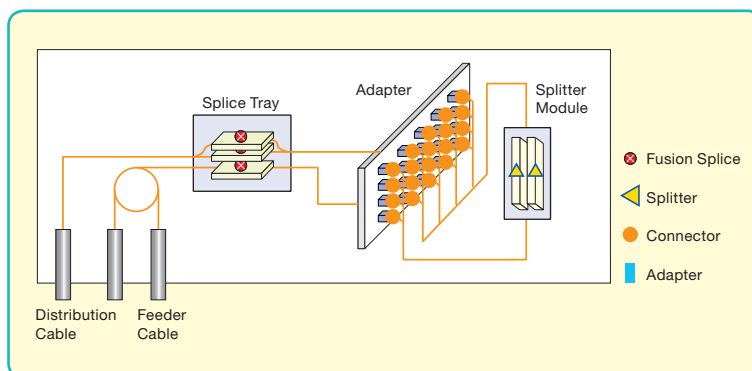
Local Convergence Point Application

ODC-C-48



Features & Benefits

- Maximum 48F access capacity
- Termination module structure
- Mount space for splitter module
- Flexible connector patch panel design



Applications

- FTTH network outdoor application
- Wall or pole mount installations

Specifications

Item	ODC-C-48 (N)	
Cable Entry (Input / Output)	Capacity	4
	Outer Diameter (mm)	7-13
Number of Splice Trays		4
Splitter Modules Capacity	1 × 4 or 1 × 8	6
	1 × 16 or 1 × 32	3
Number of Parking Lot		8
Connector Type*	SC/APC (Green) or SC/UPC (Blue); Compliant with IEC61754-4	
Main Body	Fiber reinforced plastic (FRP); Light gray; UL-94 V0 compliant	
Dimension (H × W × D mm)	H450 × W520 × D170	
Weight (Kg, included parts)	Approx. 20	
Degree of Protection	IP54 compliant; IEC 60529, IEC 61300-2-1, IEC60068-2-6, IEC 61300-3-3 compliant; Temperature: up to 65°C; Humidity: up to 95% at 35°C without condensation	

* Please contact us for SC/APC type

Ordering Information

#	Model #	Description
1	ODC-C-48(SC)	Cabinet 1pc, pole mount 1pc, accessory kit 1set, assembly manual

Option

Item	Description
Splitter	Splitter module
Pigtail	Pigtail cord
FAST Connector	Field installable connector

Notes

Local Convergence Point Application

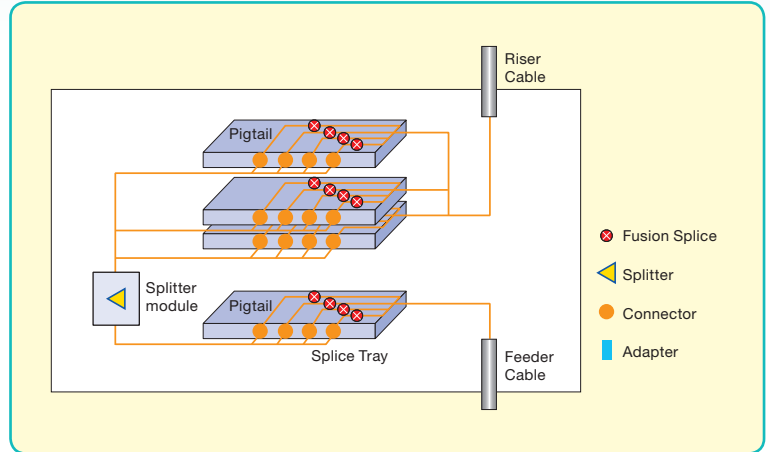
HRB (High-Rise Building) Solution

Features & Benefits

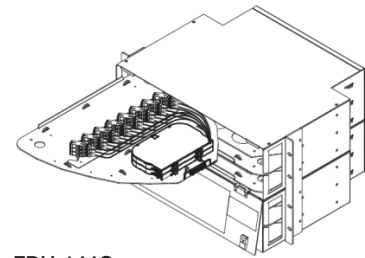
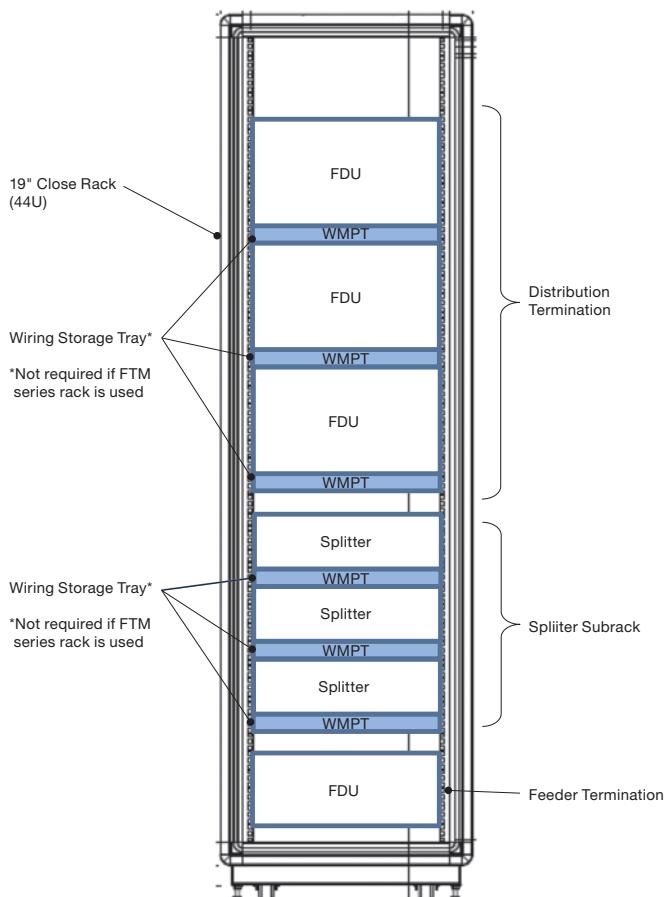
- Compatible with 19-inch standard rack
- Large-scaled subscribers access capacity
- Flexible configuration and addition of splice trays, splitter trays, and other subracks

Applications

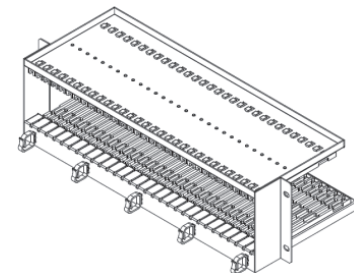
- FTTH high-rise building or apartment indoor applications



Configuration Example and Materials



Wiring Storage Tray FTB-R-WMPT (1U)



Splitter Chassis/Subrack (3U)

Fiber Splice Box FTB-601



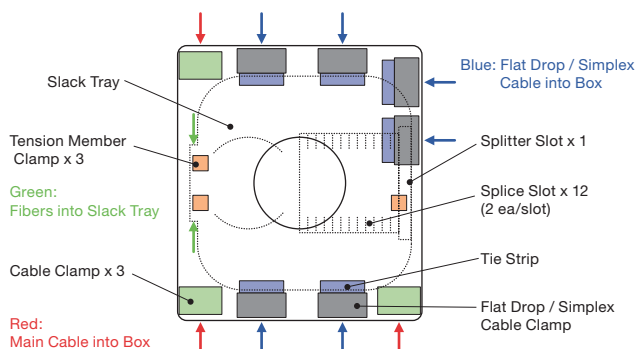
Features & Benefits

- Versatile splice box for FTTH MDU application
- Compact and suitable for limited riser space
- Various types of cable can be installed in various directions
- Splitter installable
- Mid-span access with through-fiber

Applications

- FTTH MDU applications
- Indoor, wall mount

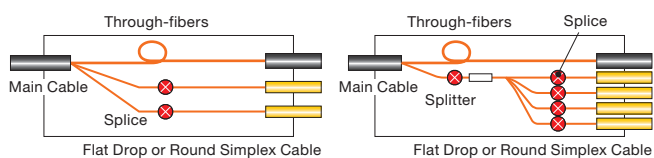
Structure



Specifications

Item	Value
Cable Input Capacity	Round cable (≤ 16 mm dia.): 1
	Flat drop cable (1.6 / 2 / 3.3 mm): 3
Cable Output Capacity	Round cable (≤ 16 mm dia.): 2
	Simplex cable (1.6 / 2 mm dia.): 12
Splitter Capacity	Flat drop cable (1.6 / 2 / 3.3 mm): 24
	1 × 4: 4 pcs
	1 × 8: 2 pcs
Splice Capacity	1 × 16: 1 pc
	1 × 32: 1 pc
	Single fiber (0.25 mm dia.): 24F
Splice Capacity	Single fiber (0.9 mm dia.): 8F
	4F ribbon: 40F (40 ribbons)
	Through-fiber Capacity (4F Ribbon)
Main Body	Both side branch: 120F (30 ribbons)
	ABS plastic, Ivory
Dimension (H × W × D mm)	H180 × W160 × D38
Weight(Kg)	Approx. 0.3

Wiring Configuration



Ordering Information

#	Model #	Description
1	FTB-601-12C	Fiber splice box 1pc, wall mount kit 1set, 12 drop cables application, assembly manual
2	FTB-601-24Q	Fiber splice box 1pc, wall mount kit 1set, 24 drop cables application, assembly manual
3	FTB-601-12C (C)	Fiber splice box 1pc, wall mount kit 1set, 12 low friction application, assembly manual
4	FTB-601-24Q (C)	Fiber splice box 1pc, wall mount kit 1set, 24 low friction application, assembly manual

Option

Item	Description
Splitter	Splitter module
Mechanical splicer	Mechanical splicer
C-Sleeve	Sleeve for FRP strength member

Notes

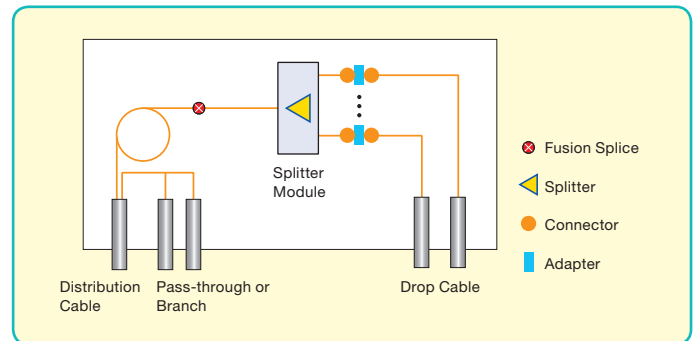
Access Network Point Application

FODP Series



Features & Benefits

- Easy installation and maintenance
- Built-in fiber splice tray
- Can be used for branching
- Pole or wall mount installation



Applications

- FTTH MDU/SDU outdoor installation
- Wall or pole mount

Specifications

Item		FODP-SC8	FODP-SC16
Cable Input	Cable Type	O.D. 11~15 mm	
	Capacity	3	3
Cable Output	Cable Type	Standard drop cable	
	Capacity	16	16
Splitter Capacity (1 × 4, 1 × 8)		2	
Number of SC Adapter		8	16
Connector Type		SC/APC (Green) or SC/U/PC (Blue); IEC 61754-4 compliant	
Main Body		ASA, Black (or Light gray)	
Dimension (H × W × D mm)		H335 × W280 × D120	
Weight (Kg)		Approx. 2	
Degree of Protection		IP54 compliant; IEC 60529 compliant; Temperature: up to 65°C; humidity: up to 95% at 35°C without condensation	

** Please contact us for SC/APC type

Ordering Information

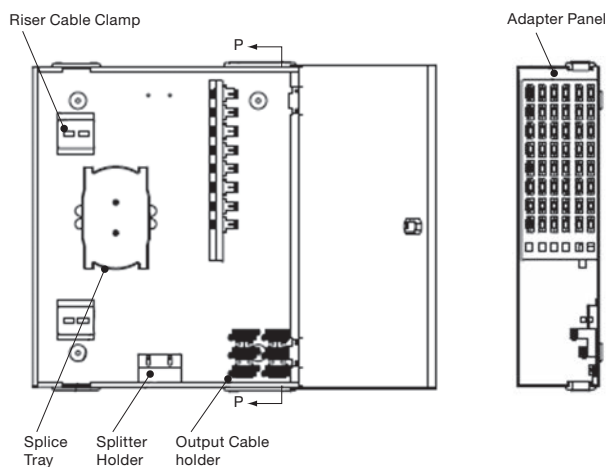
#	Model #	Description
1	FODP-SC8	Cabinet 1pc, 8-SC adapter plate 1pc, mounting kit 2 pcs, accessory kit 1set, assembly manual, fuse sleeve 1pc
2	FODP-SC16	Cabinet 1pc, 8-SC adapter plate 2pcs, mounting kit 2 pcs, accessory kit 1set, assembly manual, fuse sleeve 2pcs

Option

Item	Description
Splitter	PLC Type 1 × 8 Splitter or Cassette type 1 × 8 Splitter Module, Max. 2pcs
Pigtail	SC connector 0.9 mm pigtail

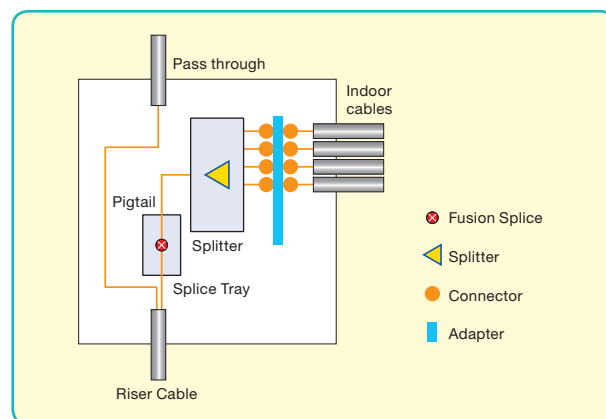
Access Network Point Application

ODP-HRB Series



Features & Benefits

- Security lock attached
- Plug-in operation in building
- Save install space in building



Applications

- FTTH indoor application
- Wall mount

Specifications

Item		ODP-HRB-32C	ODP-HRB-64C
Cable Input	Number Capacity	2	2
	Outer Diameter (mm)	7-22	
Cable Output	Number Capacity	Max. 32	Max. 64
	Outer Diameter (mm)	2 × 1.6 (Low friction indoor cable)	
Splitter Module Capacity	1 × 4	8	16
	1 × 8	4	8
Connector Type*		SC/APC (Green) or SC/UPC (Blue); Compliant with IEC61754-4	
Main Body		PC + ABS; Light gray; UL-94 V0 compliant	
Dimension (H × W × D mm)		H330 × W260 × D130	H412 × W312 × D140
Weight (Kg)		Approx. 2	Approx. 4
Degree of Protection		IEC 60529 reference	

* Please contact us for SC/APC type

Ordering Information

#	Model #	Description
1	ODP-HRB-32SC	Cabinet 1pc, accessory kit 1set, assembly manual
2	ODP-HRB-64SC	Cabinet 1pc, accessory kit 1set, assembly manual

Option

Item	Description
FWGC-SR15 Splitter	Preconnectorized bare splitter
Pigtail	SC connector 0.9 mm pigtail

Notes

User Home Application

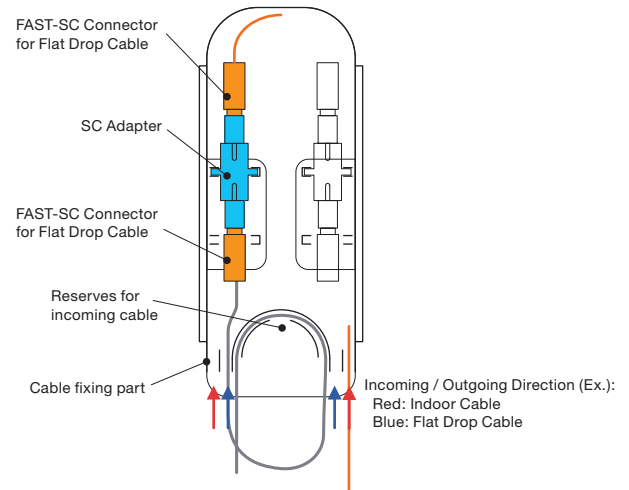
Demarcation Box FPB-202



FPB-202-1SC

Features & Benefits

- Joins flat drop cables and indoor cables through connectors as a demarcation box.
- Wall-mountable and suitable for indoor and outdoor use.



Applications

- FTTH MDU and SDU applications.

Specifications

Item	FPB-202-1SC	FPB-202-2SC
Cable Input/Output	Standard flat drop cable/low friction cable	
	Capacity	4
Number of Connection/SC Adapter	1	2
Connector Type*	SC/APC (Green) or SC/UPC (Blue); IEC 61754-4 compliant	
Main Body	PP, UL94V-0 Compliant, Gray	
Dimension (H × W × D mm)	H183 × W77 × D37	
Weight (Kg)	Approx. 0.2	
Degree of Protection	IPX3 (IPX5 if silicon or other sealant is used at cable ports)	

* Please contact us for SC/APC type.

Ordering Information

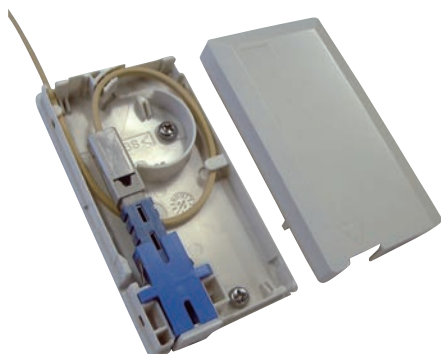
#	Model #	Description
1	FPB-202-1SC	Optical outlet 1pc, SC adapter (UPC) 1pc, accessory kit 1 set, assembly manual
2	FPB-202-1SC (APC)	Optical outlet 1pc, SC adapter (APC) 1pc, accessory kit 1 set, assembly manual
3	FPB-202-2SC	Optical outlet 1pc, SC adapter (UPC) 2pc, accessory kit 1 set, assembly manual
3	FPB-202-2SC (APC)	Optical outlet 1pc, SC adapter (APC) 2pc, accessory kit 1 set, assembly manual

Option

Item	Description
Connector	Field installable connector

User Home Application

Optical Outlet FPB-103A, FPB-401 Series



FPB-103A



FPB-401-4C



FPB-401-1/2C

Features & Benefits

- Indoor wall mountable outlet with 1/2/4 SC port(s)
- Compact and light weight
- Cable entry from any of 4 directions is possible to enable flexible cabling

Applications

- FTTH MDU and SDU indoor installation
- Embedded wall application application

Specifications

Item		FPB-103A	FPB-401-1C	FPB-401-2C	FPB-401-4C
Cable Input	Cable Type	Standard flat drop cable/low friction cable			
	Capacity	1	1	1	1
Cable Output	Cable Type	Bend-insensitive patchcord			
	Capacity	1	1	2	4
Number of Connection/SC Adapter		1	1	2	4
Connection Type*		Connector	Connector or pigtail splicing*		
Main Body		PC+HIIPS	ABS		
Color		Light Gray	White	White	Light gray
Dimensions (H × W × D mm)		H93 × W50 × D18	H86 × W86 × D27	H86 × W86 × D27	H150 × W110 × D33
Weight (Kg)		Approx. 0.1	Approx. 0.07	Approx. 0.07	Approx. 0.1

*Please contact us for SC/APC type.

Ordering Information

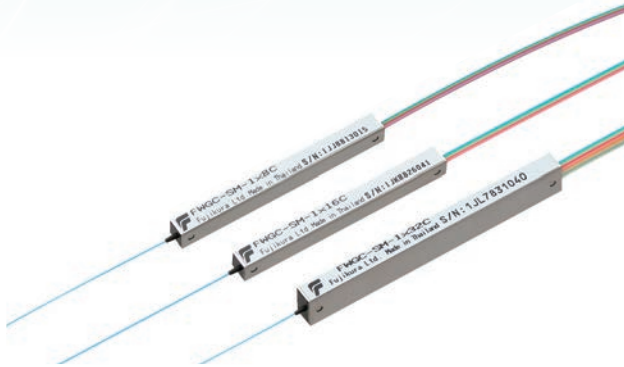
#	Model Number	Description
1	FPB-103A	Optical outlet 1pc, SC adapter 1pc, accessory kit 1 set, assembly manual
2	FPB-401-1C	Optical outlet 1pc, SC adapter 1pc, accessory kit 1 set, assembly manual
3	FPB-401-2C	Optical outlet 1pc, SC adapter 2pc, accessory kit 1 set, assembly manual
4	FPB-401-4C	Optical outlet 1pc, SC adapter 4pc, accessory kit 1 set, assembly manual

Option

Item	Description
Connector	Field installable connector
Patch cord	Bend-insensitive fiber patch cord

Notes

Optical Splitter / Module



Feature & Benefits

- High performance and reliability
- Module design and easy Installation
- Compact size and high density
- Large operating temperature range

Applications

- High performance and reliability
- Module design and easy Installation

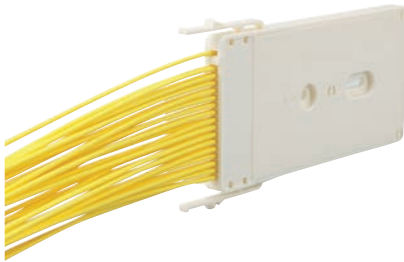
Specifications

Item	1 × N					2 × N				
	1 × 2	1 × 4	1 × 8	1 × 16	1 × 32	2 × 2	2 × 4	2 × 8	2 × 16	2 × 32
Operating Wavelength (nm)	1260-1650									
Insertion Loss (dB)	≲ 3.7	≲ 7.0	≲ 10.4	≲ 13.5	≲ 17.0	≲ 4.2	≲ 7.5	≲ 11.0	≲ 14.3	≲ 17.5
Uniformity (dB)	≲ 0.6	≲ 0.6	≲ 1.0	≲ 1.1	≲ 1.5	≲ 1.2	≲ 1.3	≲ 1.6	≲ 1.8	≲ 2.3
Polarization Dependence Loss (dB)	≲ 0.2	≲ 0.2	≲ 0.2	≲ 0.3	≲ 0.3	≲ 0.3	≲ 0.3	≲ 0.3	≲ 0.4	≲ 0.4
Return Loss (dB)	≳ 50									
Directivity (dB)	≳ 55									
Fiber type	ITU-T G.657A1									

*Splitter performance (Without connector)

Fujikura can offer many kind of splitter module.
Please contact us.

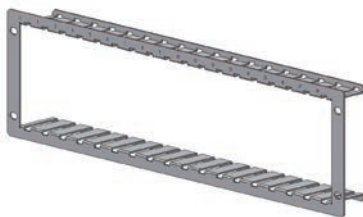
- Cassette type with 2mm cordage



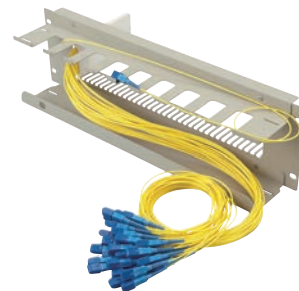
- Cassette type with adapter



- Subrack

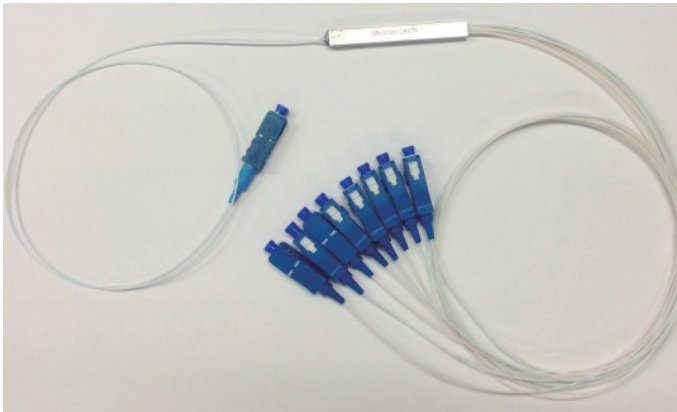


- Mount splitter module on subrack

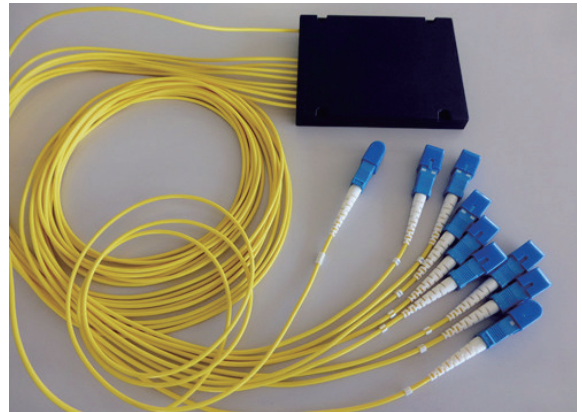


Optical Splitter / Module

● 900um pigtail type



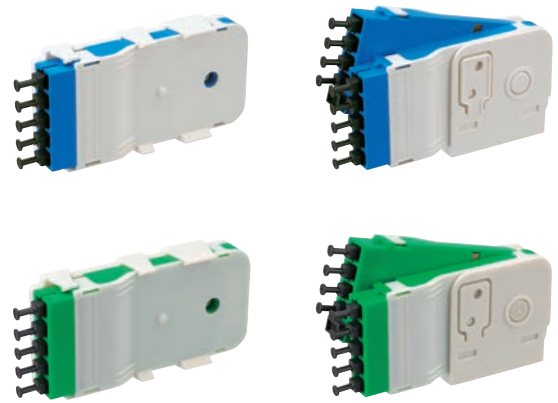
● Splitter box with 2mm cordage



● Cassette type with adapter



● Compact splitter module



Notes