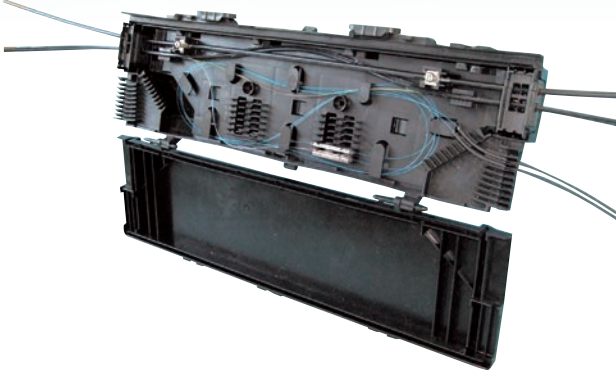


Aerial Weathertight Fiber Optic Splice Closures

FSCO-AS



Features

FSCO-AS Aerial Weathertight Splice Closures are designed for aerial, strand-mount FTTH drop locations where drop cables are spliced to distribution cables.

These free breathing closures combine grommet cable sealing technology and splice tray, the splitter module is also available.

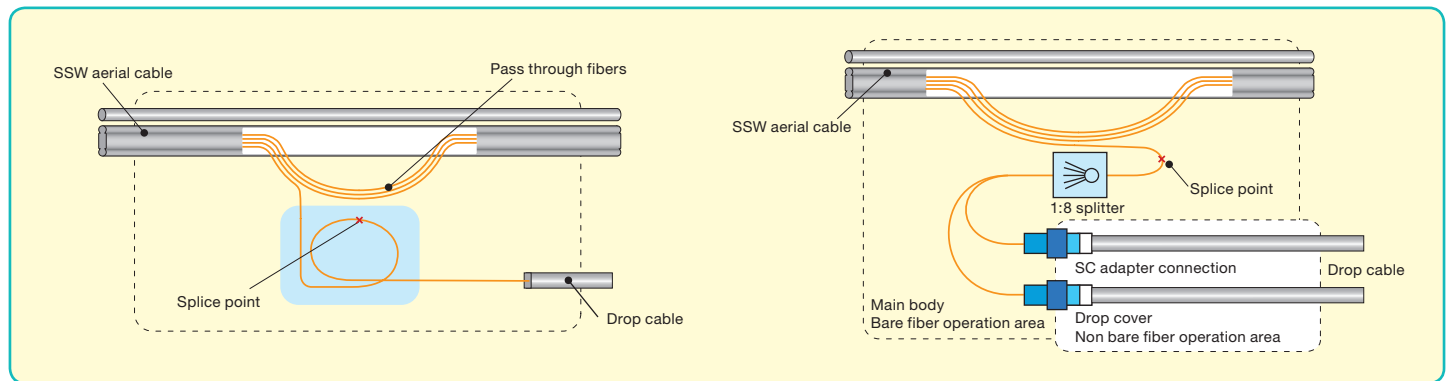
FSCO-AS Aerial Weathertight Splice Closures are suitable for special feature with SSW cable.

- Closure adopts hinge/buckle mechanism which makes dismantling/ assembling easy
- Cable entry section can accommodate 1 main cable with up to 48c SSW cable.
- Can accommodate up to 8 drop cables.
- Convenient attachable splitter module with 1:8 splitter module & 1:4 splitter module for drop cable installation.
- Re-useable grommet sealing open and close easily for adding or removing drop cables providing efficient cable installation with no mess.

Applications

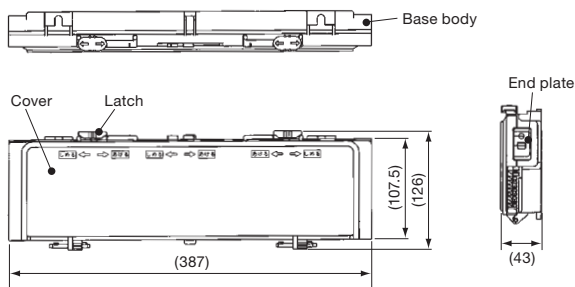
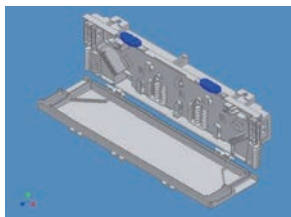
FSCO-AS Aerial Weathertight Splice Closures is suitable for up to 8 drop cable splicing, which can cover most of the applications in the premise wiring networks like Fiber To The Home (FTTH).

Aerial application is possible with this closure. FSCO-AS has chemical and mechanical resistance for all the aerial application areas in the fiber networks.

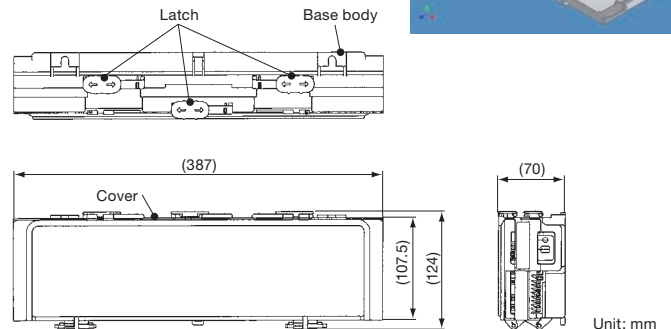
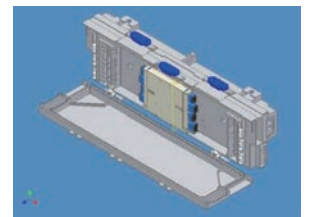


Structure

• Splice type



• Splitter module type



Unit: mm

Specifications

Physical characteristics

| | | |
|---------------------------------------|---|-------------------------------|
| Material | Molded plastic | |
| Dimension | L 387mm x W 70mm x H 124mm (Splitter module type) | |
| Weight (without kit) | 0.8 kg | |
| Cable diameter | Main cable | SSW aerial optical cable: 1pc |
| | Drop cable | 2 x 3 mm : up to 8pc |
| Cable ports | 2 for main cable | |
| Maximum fiber storage capacity | Single-fiber | 12 splices points |
| | | |
| No. of optical adapter | Max.8xSC adapter | with 1x8 splitter module. |

Note 1: Fiber protection sleeve is attached to the product.

Technical characteristics

ITU-T L.13 complied

| | |
|--|--|
| Vibration IEC61300-2-1 | A=±5mm, f=10Hz, 1,000,000 Cy, No splice case degradation. No damage. |
| Cable fixture(bend) IEC61300-2-37 | Bending radius:15mm, ±90° bending, 3Cy/cable. No splice case degradation. No damage. |
| Cable retention IEC61300-2-4 | Main cable : 98N Drop cable : 49N. No splice case degradation. |
| Temperature cycling IEC61300-2-22 | -20C-20C-60C, 8h/Cy 100Cy. No splice case degradation No damage. |
| Impact(free drop) IEC61300-2-12 | 0.75m @ -15C & +45 C. No splice case degradation. |
| Degrees of protection (IP Code) IEC 60529 | IPX4 Protected against Wind driven rain proof. (option :IP54 Wind driven rain proof & no effective by dust.) |
| Salt mist IEC61300-2-26 | 5% NaCl for 5days, without rust. No damage. |
| Re-entries IEC61300-2-33 | At least 1 thermal cycle to repeat Open & Close the closure sleeve 10 times. No damage. |

Ordering Information

Product Code

FSCO-AS

Splice type

FSCO-AS- X / Y

Connector type
Null : UPC adapter
A : APC adapter

Splitter type
Example:
4SP : 1 x 4 splitter module
8SP : 1 x 8 splitter module

Notes

Sealed Fiber optic splice Closure

FSCO-CB / FSCO-CB3**Features**

Cable entrance configuration is In-line, which is suitable for space constrained hand holes (also possible to be used in man-holes, telephone tunnels and aerial, etc)

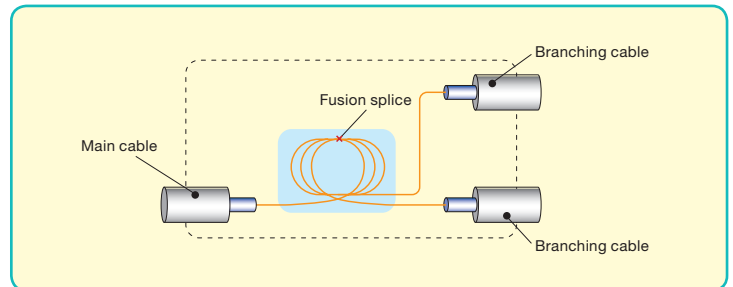
Closure adopts band mechanism, which makes dismantling/assembling easy.

Cable entry section can accommodate maximum 6 cables (main cable 2pcs, branching cable 4pcs)

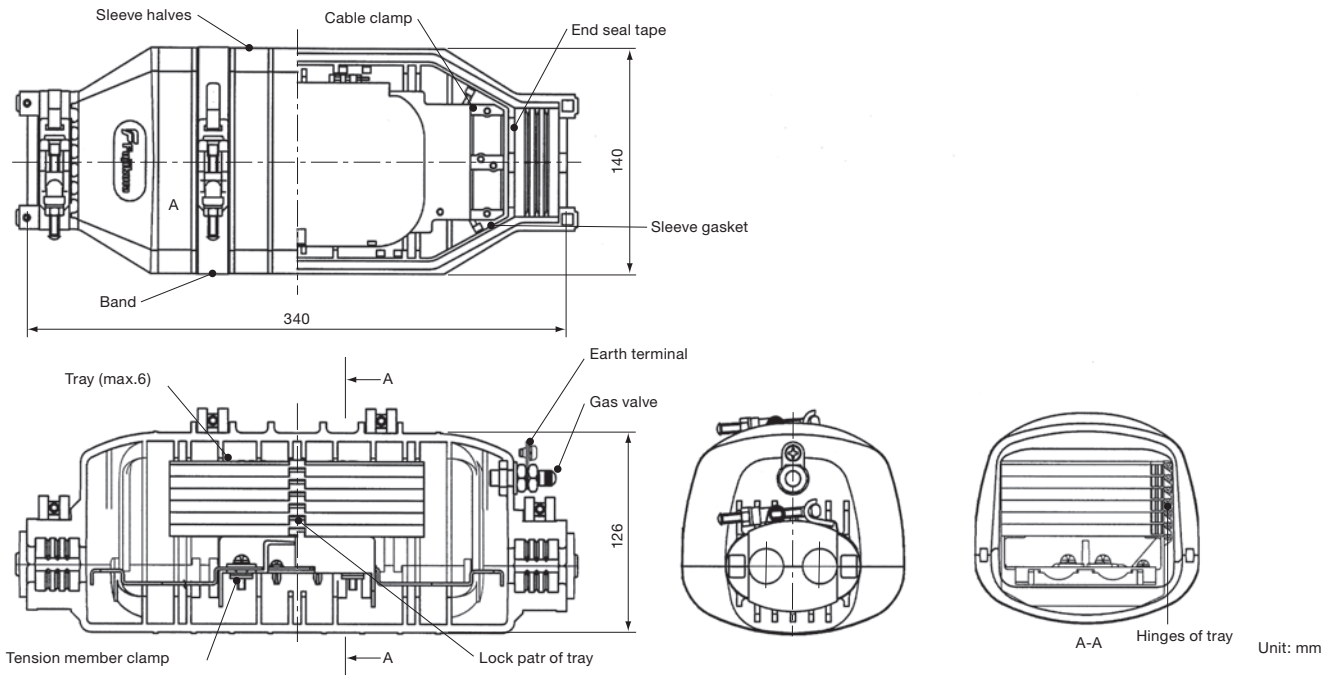
Supports loose tube cable and slotted core cable.

Applications

Closure is suitable for up to 96 single fiber splicing, which can cover most of the applications in the fiber distribution networks like Fiber To The Home / Fiber To The Curb (FTTH/FTTC). Underground, aerial, or pedestal applications are possible with this closure.

**Structure**

● FSCO-CB Structure



FSCO-CB / FSCO-CB3

Specifications

Physical characteristics

| Item | FSCO-CB | FSCO-CB3 |
|-----------------------|---|--|
| Material | <ul style="list-style-type: none"> Molded plastic (Sleeve, Splice tray) Stainless steel (band), Anti-rusted steel (Connecting bar, Organizer) Synthetic rubber (Sleeve gasket, end seal tape) | |
| Dimension (mm) | W140 × H126 × L340 | W158 × H145 × L405 |
| Weight (kg) | Approx. 3 | Approx. 3 |
| Fiber storage tray | Maximum 6 | Maximum 8 |
| Cable capacity | 2 for main cable 2 for branch cable | 2 for main cable 4 for branch cable |
| Maximum Fiber Storage | Single fiber | 96 fibers (12 fibers / tray) |
| | 4-fiber ribbon | 120 fibers (5 ribbons / tray) |
| Cable diameter (mm) | 8 - 21 | |

Note 1 : Fiber protection sleeve is attached to the product.

Technical characteristics

ITU-T L.13 complied

| | |
|--|---|
| Vibration IEC61300-2-1 | 49kPa, A=±5mm, f=10Hz, 1,000,000 Cy, No damage, No leakage. |
| Cable fixture (bend) IEC61300-2-37 | 49kPa, ±90° bending radius 6D, 6Cy. No damage, No leakage. |
| Cable torsion IEC61300-2-5 | 49kPa, 400mm, ±90 degree, -15°C and 45°C, 5Cy. No damage, No leakage. |
| Cable axial tension IEC61300-2-4 | 49kPa, D/45 x 1000N (Max.1000N), 1hr No leakage |
| Temperature cycling IEC61300-2-22 | -20°C ~ 60°C, 8h/Cy 100Cy. Then fill 49kPa air-pressure, No leakage. |
| Impact IEC61300-2-12 | 0.5kg, 0.3m @ -10C. No damage, No splice case degradation. |
| Immersion IEC61300-2-23 | Water depth 5m, 7days, No water intrusion. |
| Air tightness IEC61300-2-38 | 49kPa@Room temperature, 15min. No leakage. |
| Degrees of protection (IP code) IEC60529 | IP67 : Water proof and No effective by duct |
| Compression IEC61300-2-10 | 1000N, 25cm2, 10min, -15°C and 45°C No leakage |
| Chemical Resistance IEC61300-2-34 | pH2, pH12 for 5 days. No leakage, Visual appearance. |
| Rust resistance IEC61300-2-26 | Salt spray 5% NaCl for 5days, No rust |

Ordering Information

Product Code

FSCO-CB / ** / X / Y / Z / <a1><a2><b1><b2>

Tray type BH or BL

Presence of gas valve and earth terminal
(Yes:2 No:1)

Number of slack Tray (1~6)

Cable size

| Cable diameter D (mm) | The size of cable clamp and sealing washer |
|-----------------------|--|
| 8 ≤ D ≤ 11 | S |
| 11 ≤ D ≤ 16 | M |
| 16 ≤ D ≤ 21 | L |
| End packing | E |

Presence of optional parts
(Yes:2 No:1)



FSCO-CB3 / ** / X / Y / Z / <a1><a2><a3><b1><b2><a3>

Option

| | |
|--------------|---|
| C sleeve | Fro FRP tension member use. Please order when Non-metallic cable installation |
| Re-entry kit | End seal tape 4pcs, Sleeve gasket 2pcs |
| Cable kit | Size S, M, L for additional branching cable |

Sealed Fiber Optic Splice Closure

FSCO-L5BR



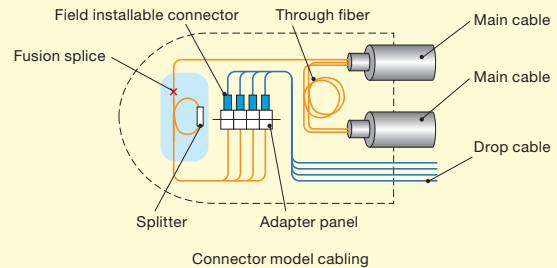
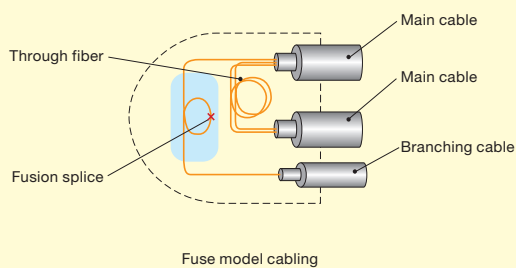
Features

Cable entry section is single-sided dome structure which is suitable for space constrained hand holes (also possible to be used in man-holes, telephone tunnels etc.).

- Closure adopts hinge/buckle mechanism which makes dismantling/ assembling easy.
- Cable entry section can accommodate maximum 6 cables (main cable 2pcs, branching cable 4pcs).
- Supports both loose tube cables and slotted core cables
- Optional splitter tray accommodates 2pcs 1×8 splitters and support maximum 16 drop cables
- Suitable for apply in limited space areas such as hand holes
- Fully mechanical design, fiber reinforced plastic
- Recommendation of life span for 15 to 20 years (depends on environment)
- Concept of separate cable entries system
- Laser caution signs provided on cover of the top tray
- 360-deg access permits complete access to all wirework and equipment

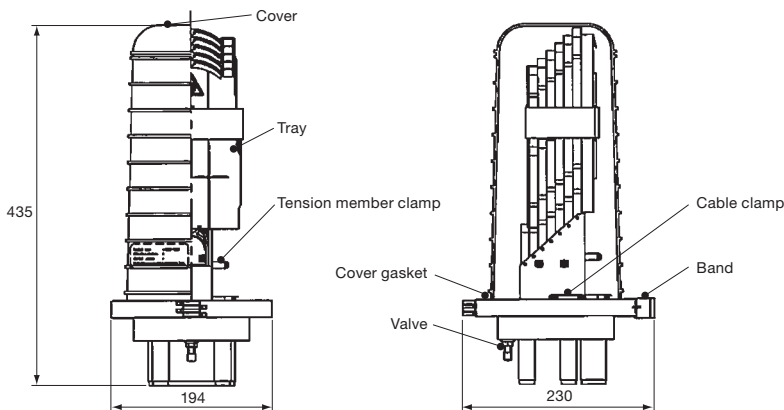
Applications

- Up to maximum 240 fibers (4-ribbon fiber) splicing FTTH distribution networks
- Applicable for both branch cables and drop cables
- Chemical and mechanical resistance for underground, aerial and pedestal installation

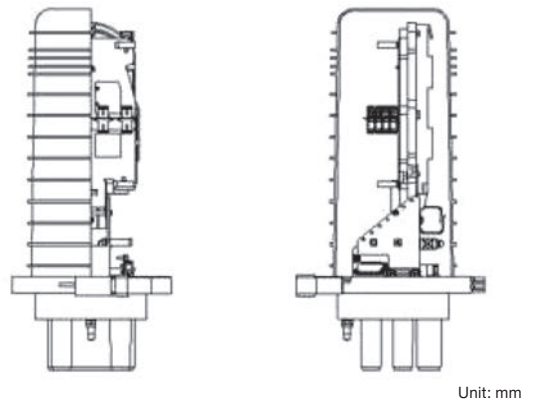


Structure

• Fuse model structure



• Connector model structure



Specifications

Physical characteristics

| | |
|---------------------------------------|---|
| Material | <ul style="list-style-type: none"> Molded plastic (Cover, Splice tray, Tray base, End plate, Cable clamping) Stainless steel (Tension member clamp, Drop cable clamp, adapter tray), Synthetic rubber (Cover gasket, Valve gasket) |
| Dimension | L435mm × D230mm |
| Weight (without kit) | Approx. 3.7kg |
| Cable diameter | Main cable:12-21 mm, Branch cable:8-17.5mm Drop cable :2 × 3mm (flat type) , 3mm dia.(round type) |
| Cable capacity | Main cable : 2cables Branch cable :2cables - 4cables* (*cannot be accommodated when 3mm round type drop cables are installed) Drop/indoor cable :Max 16cables (*cannot be accommodated when 4 branch cables are installed) |
| Cable ports | 1 oval port for 2 main cables 4 round ports for branch cables or drop/indoor cables |
| Splice tray capacity | Max. 6 trays |
| SC adapter capacity | Max. 16 pcs |
| Splitter capacity | 1 × 4: 4pcs or 1 × 8: 2pcs or 1 × 16: 1pcs |
| Maximum fiber storage capacity | Single fiber 144 fibers (24 fiber/tray) 4-fiber ribbon 240 fibers (10 ribbon/tray) |
| Unreusable parts | Heat shrink tube, branching clip |

Note 1: Defaults to SC/UPC type adapter and splitter, please contact your local distributor for SC/APC type

Note 2: Fiber protection sleeves are attached to the product.

Note 3: Pole mount bracket is optionally available

Technical characteristics

ITU-T L.13 complied

| | |
|---|---|
| Vibration IEC61300-2-1 | 49kPa, A=±5mm, f=10Hz, 1,000,000 Cy, No damage, No leakage. |
| Cable fixture (bend) IEC61300-2-37 | 49kPa, ±90° bending radius 6D, 6Cy. No damage, No leakage. |
| Cable torsion IEC61300-2-5 | 49kPa, 400mm, ±90 degree, -15°C and 45°C, 5Cy. No damage, No leakage. |
| Cable axial tension IEC61300-2-4 | 49kPa, D/45 × 1000N (Max.1000N), 1hr No leakage |
| Temperature cycling IEC61300-2-22 | -20°C ~ 60°C, 8h/Cy 100Cy. Then fill 49kPa air-pressure, No leakage. |
| Impact IEC61300-2-12 | 0.5kg, 0.3m @ -10C. No damage, No splice case degradation. |
| Immersion IEC61300-2-23 | Water depth 5m, 7days, No water intrusion. |
| Air tightness IEC61300-2-38 | 49kPa@Room temperature, 15min. No leakage. |
| Degrees of protection (IP code) IEC60529 | IP67 : Water proof and No effective by duct |
| Compression IEC61300-2-10 | 1000N, 25cm ² , 10min, -15°C and 45°C No leakage |
| Chemical Resistance IEC61300-2-34 | pH2, pH12 for 5 days. No leakage, Visual appearance. |
| Rust resistance IEC61300-2-26 | Salt spray 5% NaCl for 5days, No rust |

Ordering Information

Product Code

FSCO-L5BR-X / Y

Type of fiber capacity:
12, 24, 36, 48, 72, 96, 120, 144 fibers

Number of splice tray:
1, 2, 3, 4, 5, 6

FSCO-L5BR-16 / X / Y

Type of splitter module (FWGC-SR15 Series)

4SP : 1 × 4 splitter module
8SP : 1 × 8 splitter module
16SP : 1 × 16 splitter module
2(8SP) : 1 × 8 splitter module × 2 sets

Type of adapter

Null : UPC adapter
A : APC adapter

Number of SC adapters :
16 pcs

Notes

FSCO-BU Series



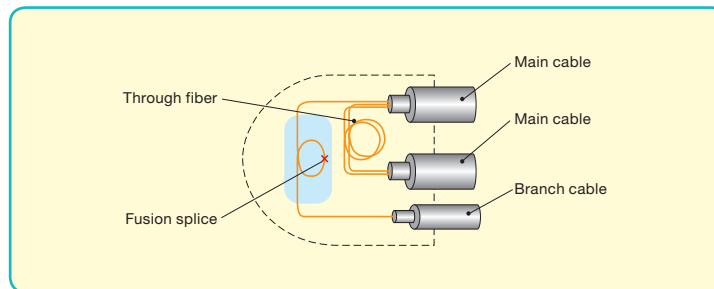
Features

Cable entry section is single-sided dome structure which is suitable for space constrained hand holes (also possible to be used in man-holes, telephone tunnels etc.).

- Closure adopts hinge/buckle mechanism which makes dismantling/ assembling easy.
- Cable entry section can accommodate maximum 8 cables (main cable: 2, branching cable: 6).
- Supports loose tube cables, slotted core cables, and Spider Web Ribbon® (SWR) cables
- Suitable for apply in limited space areas such as hand holes
- Fully mechanical design, fiber reinforced plastic
- Concept of separate cable entries system
- 360-deg access permits complete access to all wirework and equipment

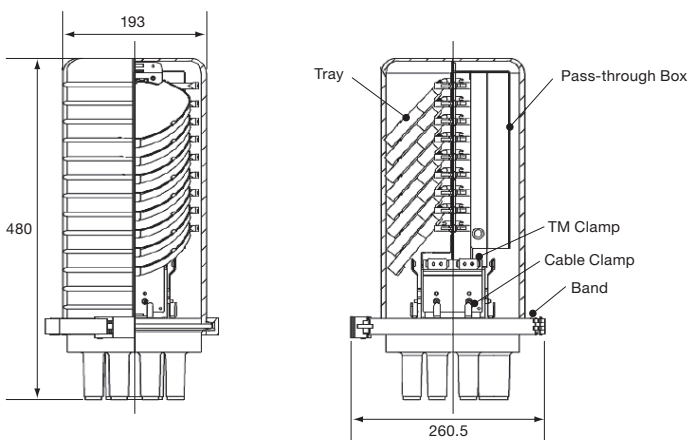
Applications

- Up to 864 fibers (12f-SWR) splicing FTTH distribution networks
- Chemical and mechanical resistance for underground, aerial and pedestal installation

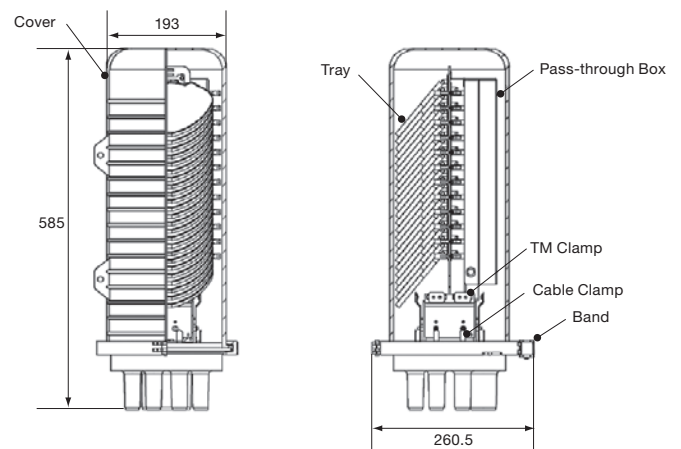


Structure

- Middle Type



- Large Type



Unit: mm

FSCO-BU Series

Specifications

Physical characteristics

| Item | Middle Type | Large Type |
|------------------------|--|---------------------------------------|
| Material | <ul style="list-style-type: none"> Molded plastic (Cover, Splice tray, Tray base, End plate, Cable clamping) Stainless steel (Tension member clamp) Synthetic rubber (Cover gasket, Valve gasket) | |
| Dimension | H480mm × φ260mm | H585mm × φ260mm |
| Weight (without kit) | Approx. 6.5kg | Approx. 7.0kg |
| Cable diameter | Main cable: φ10-22 mm, Branch cable: φ10-17.5mm | |
| Cable capacity | Main cable : 2cables Branch cable : 6 cables | |
| Cable ports | 1 oval port for 2 main cables 6 round ports for branch cables | |
| Splice tray capacity | 12f-SWR | 8 trays (6 splices /tray) |
| | 8f-SWR | 8 trays (8 splices / tray) |
| | 4f-SWR | 8 trays (8 splices / tray) |
| | Single fiber | 17 trays (12 splices /tray) |
| Splitter capacity *1 | SWR | 1 × 2: 4pcs, 1 × 4: 2pcs, 1 × 8: 2pcs |
| | Single fiber | 1 × 2: 2pcs, 1 × 4: 1pcs, 1 × 8: 1pcs |
| Maximum fiber capacity | 12f-SWR | 48 × 12f-SWR / 576 fibers |
| | 8f-SWR | 64 × 8f-SWR / 512 fibers |
| | 4f-SWR | 64 × 4f-SWR / 256 fibers |
| | Single fiber | 204 fibers |
| Unreusable parts | Heat shrink tube, branching clip | |

*1 A tray for SWR fiber shall be able to accommodate an optical splitter
Note 1 : Fiber protection sleeve is attached to the product.

Technical characteristics

ITU-T L.13 complied

| | |
|--|---|
| Vibration IEC61300-2-1 | 49kPa, A=±5mm, f=10Hz, 1,000,000 Cy, No damage, No leakage. |
| Cable fixture (bend) IEC61300-2-37 | 49kPa, ±90° bending radius 6D, 6Cy. No damage, No leakage. |
| Cable torsion IEC61300-2-5 | 49kPa, 400mm, ±90 degree, -15°C and 45°C, 5Cy. No damage, No leakage. |
| Cable axial tension IEC61300-2-4 | 49kPa, D/45 x 1000N (Max.1000N), 1hr No leakage |
| Temperature cycling IEC61300-2-22 | -20°C ~ 60°C, 8h/Cy 100Cy. Then fill 49kPa air-pressure, No leakage. |
| Impact IEC61300-2-12 | 0.5kg, 0.3m @ -10C. No damage, No splice case degradation. |
| Immersion IEC61300-2-23 | Water depth 5m, 7days, No water intrusion. |
| Air tightness IEC61300-2-38 | 49kPa@Room temperature, 15min. No leakage. |
| Degrees of protection (IP code) IEC60529 | IP67 : Water proof and No effective by duct |
| Compression IEC61300-2-10 | 1000N, 25cm ² , 10min, -15°C and 45°C No leakage |
| Chemical Resistance IEC61300-2-34 | pH2, pH12 for 5 days. No leakage, Visual appearance. |
| Rust resistance IEC61300-2-26 | Salt spray 5% NaCl for 5days, No rust |

Ordering Information

Product Code

FSCO-BU M 8 - R 8

Type of Closure: BU
(BU: Butt closure)

Size of Closure: M
(M: Middle type)
(L: Large type)

Number of cable : 8 cables

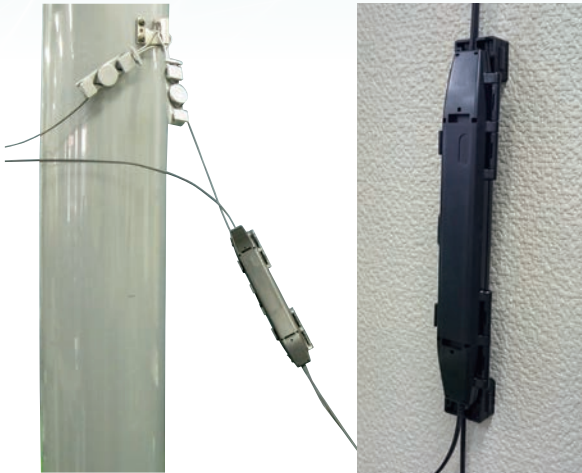
The number of tray: 8 trays

=Ribbon Fiber=
(1-8 for Middle type)
(1-12 for Large Type)
=Single Fiber=
(1-17 for Middle type)
(1-24 for Large Type)

Type of fiber tray: R
(R: SWR fiber type)
(S: Single fiber type)

Notes

FBCO-DRP



Features

- Provides for accommodating and protecting a connector, fusion splice, and mechanical splice jointed point in between drop/low friction cables.
- Provide easy of repair and maintenance for existing aerial drop cables.

Applications

- Can accommodate drop cable messenger wire. So that the closure itself can be hung in between a drop point and a premise.
- Can be mounted on a wall with using plastic wall cleats.

Configuration



accommodates drop cable segment repair point



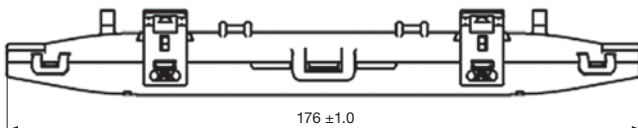
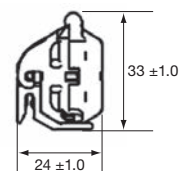
accommodates FAST Connectors jointed point



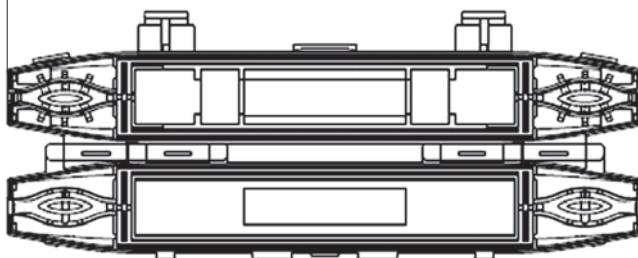
accommodates mechanical spliced point

Structure

• Outside Structure



• Inside Structure



Specifications

Physical characteristics

| | |
|----------------------|---|
| Installation | Aerial in line installation and wall mount * Possible Installation area depends on cable specifications. |
| Connection | Connector |
| Number of connection | 1 |
| Connector type | SC Connector |
| Applicable cable | Figure-8 Drop Cable (Approx. 2.0 × 5.3 mm) |
| | Low Friction Indoor/Outdoor Cable (Approx. 2.0 × 1.6 mm) Indoor Cable (Approx. 2.0 × 3.1 mm) |

Note 1 : Fiber protection sleeve, adapter, FAST-SC connectors, or Cable Grip Splice is not attached to the product.

Technical characteristics

| | |
|--|---|
| Temperature Cycling with Humidity | 42 day cycling -40 °C ~ +75 °C with 95% RH |
| Degrees of protection (IP code) IEC60529 | IPX4: Water splashing against the enclosure from any direction shall have no harmful effect |
| Flammability | UL94-V0 |
| Heat temperature storage | 240 hours at +70 °C |

Notes